

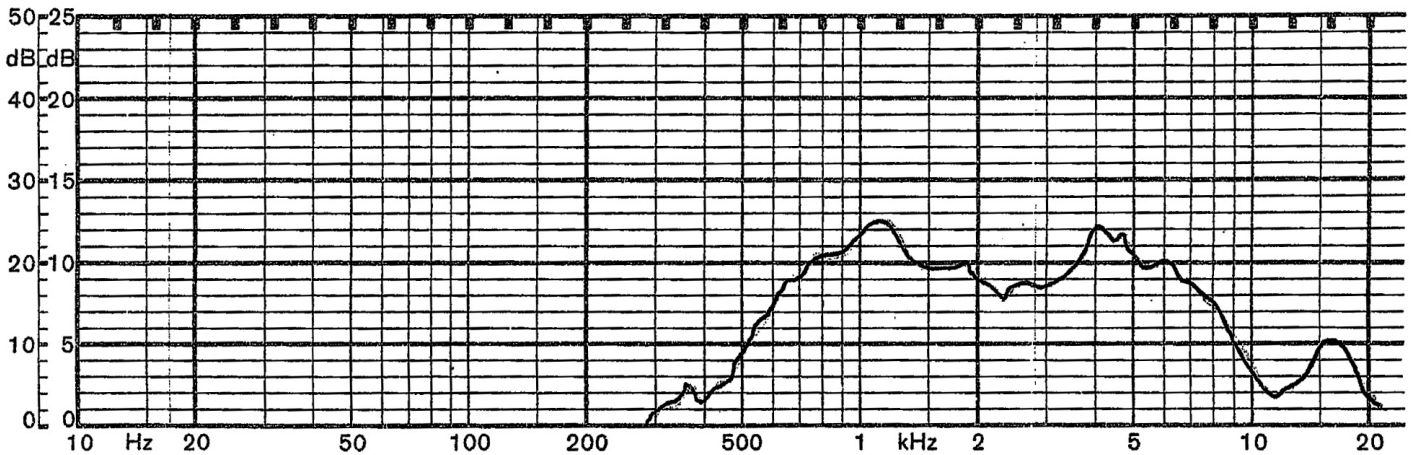


Specifications

Nominal Size	20mm		
Impedance	8 Ohm \pm 15%	at	1.5 KHz 1 V
Resonant frequency	850 Hz \pm 170 Hz	at	1 V
Sound pressure level	82dB/w \pm 3 dB	0.5 w 50 cm ave. at 0.8K, 1K, 1.2K, 1.5K Hz	
Response	Fo Hz ~ 9K KHz max 10 dB		
Input power	Nominal 0.5 W	Handling capacity	1 W
Operation	must be normal at program source 0.5 W		
Buzz, rattle, etc.	must be normal at sine wave 2 V		
Magnet	Size: 8 x 1 mm		
Load test	White noise	0.5 W for	5 hours
Heat test	65 \pm 2° C	20-50% R.H.	5 hours
Humidity test	40 \pm 2° C	90-95% R.H.	5 hours

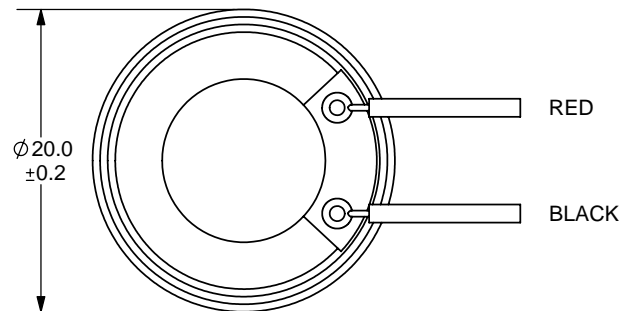
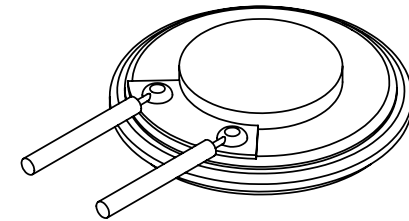
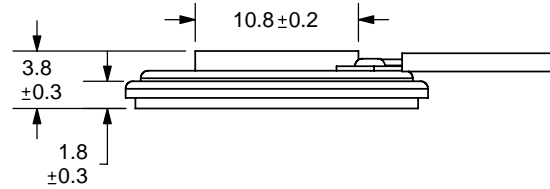
Frequency Response Curve

Potentiometer range	50 dB
Rectifier	RMS
Lower limit frequency	20 Hz
Wr. speed	100 mm/sec



Zero level 60 dB

REV.	DESCRIPTION	DATE
A	NEW DRAWING	7/3/2007



SPECIFICATIONS:
 WIRE: UL1007, #28AWG
 LENGTH: 152mm

TOLERANCE:
 ±0.5mm UNLESS OTHERWISE
 SPECIFIED



CUI INC

20050 SW 112th Ave.
 Tualatin, OR 97062
 Phone: 503-612-2300
 800-275-4899
 Fax: 503-612-2383
 Website: www.cui.com

TITLE: LOW PROFILE SPEAKER		REV: A
PART NO. CLS0201MA-L152	UNITS: MM [INCHES]	
DRAWN BY: ZRJ	APPROVED BY:	SCALE: 2:1

PC FILE NAME:
 CLS0201MA-L152

COPYRIGHT 2007 BY CUI INC.